



7920 Series Recessed Dialysis Box

- For Dialysis Machines Using RO (Reverse Osmosis) or DI (Dionized) Water Mixed with Dialysate Saline Concentrate
- Corrosion-Resistant Stainless Steel

Specifications

Material

Box is constructed of type 316 stainless steel. All exposed exterior stainless steel surfaces are polished to a #4 satin finish. Inside of box has beadblast finish. Fittings options include PVC (polyvinyl chloride), brass and stainless steel.

Construction

Continuous weld used on all seams forming a single piece design. All seams are heliarc welded and ground smooth to eliminate voids.

Wall Anchoring

Box is furnished with four stainless steel tabs which provide a secure means for anchoring to the wall.

Dialysis Supply Connection

Standard 1/2" NPT supply connection with optional 3/4" NPT x 1/2" NPT bushing adapter. Units ordered without valving are not factory drilled for supplies.

Standard Equipment

Recessed dialysis box with valves, discharge hose bracket, waste water receptor, and removable wall flange. Units ordered without valving have no supply inlet drilling (supply openings and valving by others).

Selections (must select one from each category)

Model

- 7920** 7920 Series Recessed Dialysis Box

Wall Thickness

- STD** Wall Thickness of 5/8", 1/2" or 3/4"
- CUS** Wall Thickness _____ in.
(Signed submittal required. Requires additional processing time.)

Door Option

- DR** With Door
- N-DR** No Door

Lock Option

- CL** Cylinder Lock with Key
- TTC** Thumb Turn Cam Lock (No Key)
- NL** No Lock (select if N-DR option is selected above)

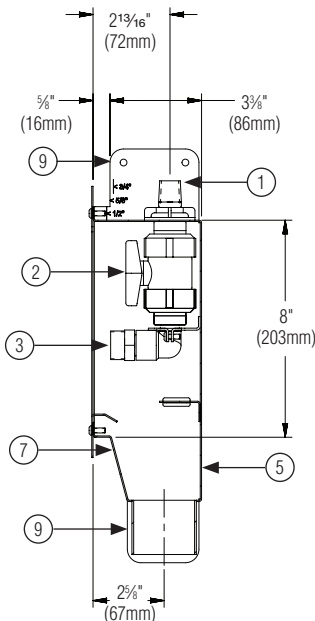
Valving Option

- PV-1** PVC (polyvinyl chloride) - 1 Valve Supply
- PV-2** PVC (polyvinyl chloride) - 2 Valve Supply
- BR-1** Brass - 1 Valve Supply
- BR-2** Brass - 2 Valve Supply
- SSV-1** Stainless Steel - 1 Valve Supply
- SSV-2** Stainless Steel - 2 Valve Supply
- NV** No Valve Option (punching, fittings and valve(s) provided by others)

Optional Supply Adapter

- A-PV** 3/4" NPT x 1/2" NPT Adapter Bushing (for use with PVC)
- A-BR** 3/4" NPT x 1/2" NPT Adapter Bushing (for use with brass)
- A-SSV** 3/4" NPT x 1/2" NPT Adapter Bushing (for use with stainless steel)

Dimensions



- 1/2" NPT Supply Inlet (optional 3/4" NPT available)
- Control Valve
- Supply Outlet, 3/4" Hose Thread Male
- Discharge Hose Bracket
- Waste Water Receptor
- Removable Wall Flange or Door Flange Assembly
- Recessed Cabinet
- 2" Nominal (2-3/8" OD) Drain Tube
- Anchoring Tabs
- 1st Control Valve
- 2nd Control Valve (optional)

