



# S19214B

## Pedestal-Mount Halo™ Eyewash with Stainless Steel Bowl

- Halo™ Delivers the Most Effective Eye Washdown Coverage and Spray Pattern
- Exceeds ANSI/ISEA Z358.1 Specifications
- Exceeds European EN 15154-2
- Industry's Only Self-Draining Design – The Aquaduct™
- Separate Supply and Waste Pipes – Meets CEN and Plumbing Requirements
- Ergonomic Hand Activation Eyewash Paddle – Easy to Reach from Any Direction
- Barrier Free
- Fully-Assembled and Factory-Tested Eyewash with Hinged Dust Covers
- Universal Identification Sign and Inspection Tag Included
- Classified by Underwriters Laboratories Inc. to ANSI/ISEA Z358.1.
- Halo is Covered by One or More of the Following Patents: 9,700,484; 9,314,398; D662220; D673298; D662605; D685920; D662219; and D671228. Other Patents Pending.



### Specifications

Standard Eyewash Units save space and fit easily into any work environment. Halo eyewash, operated by an ergonomic, highly visible push handle, provides effective wash down coverage and spray pattern. Integral strainer reduces debris in the water and also prevents clogging.

*This plumbing fixture is not intended to dispense water for human consumption through drinking or for preparation of food or beverages.*

#### Pipe and Fittings

Piping to 1/2" NPT water supply inlet on unit. Piping to 1-1/4" NPT drain outlet for eyewash. 1-1/4" piping assembly manufactured of one of the following materials:

- Galvanized steel with BradTect® safety yellow coating

#### Ball Valve

1/2" stay-open eye and eye/face wash valve manufactured of the following materials:

- Chrome-plated brass

#### Eyewash

The Halo eyewash system offers a high performance rinsing platform that provides rapid relief to an individual's eyes that have been injured by chemicals or particulate. The eyewash includes an integral 5.1 GPM (19.2 L) flow control, providing water at a safe velocity while maintaining its effectiveness (exceeds minimum water flow of 0.4 GPM (1.5 L) at 30 PSI (2.0 bar)). Eyewash is protected by flip open dust covers that open when product is activated. Safe, steady water flow under varying water supply conditions from 30–90 PSI (2.0-6.1 bar) is assured by integral flow control in the sprayhead assembly. Sprayheads are made form an impact resistant ABS plastic.

#### Bowl

Bowl is constructed of Type 304 corrosion-resistant stainless steel.

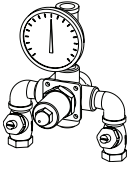
#### Activation

Type 304 Stainless steel push handle.

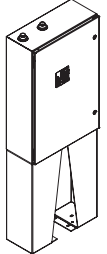
Model	Description
<input type="checkbox"/> S19214B	Halo eyewash, stainless steel bowl

### Tepid Water Options

[Navigator S19-2000 EFX8  
Emergency Thermostatic Mixing Valve](#)



[Keltech CLE-Series  
Tankless Water Heater](#)



NAVIGATOR

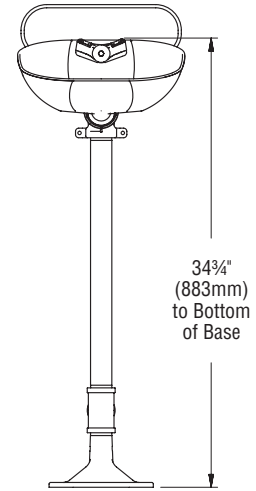
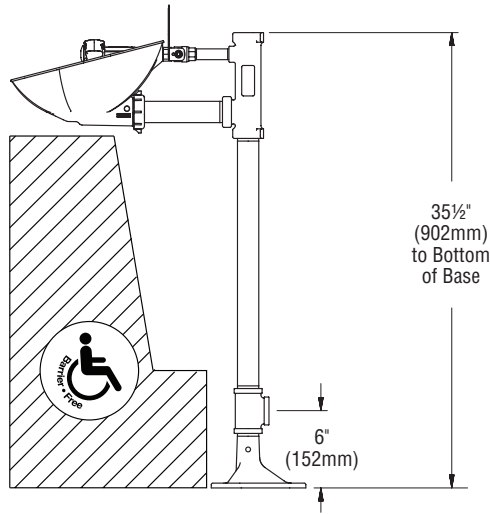
Satisfies ANSI/ISEA Z358.1 tepid water requirements.



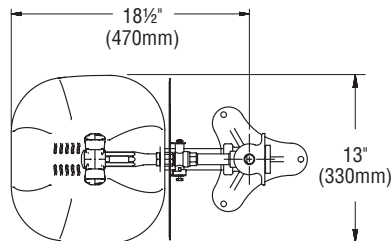
# S19214B

## Pedestal-Mount Halo™ Eyewash with Stainless Steel Bowl

S19214 shown with Eyewash and Stainless Bowl



Eyewash Bowl



All dimensions assume standard thread engagement. Variations in manufacturing allow for +/- 1/8" (3mm) per threaded joint. To find the tolerance of a dimension, add the number of thread joints across the length of the dimension and multiply it by 1/8" (3mm).