

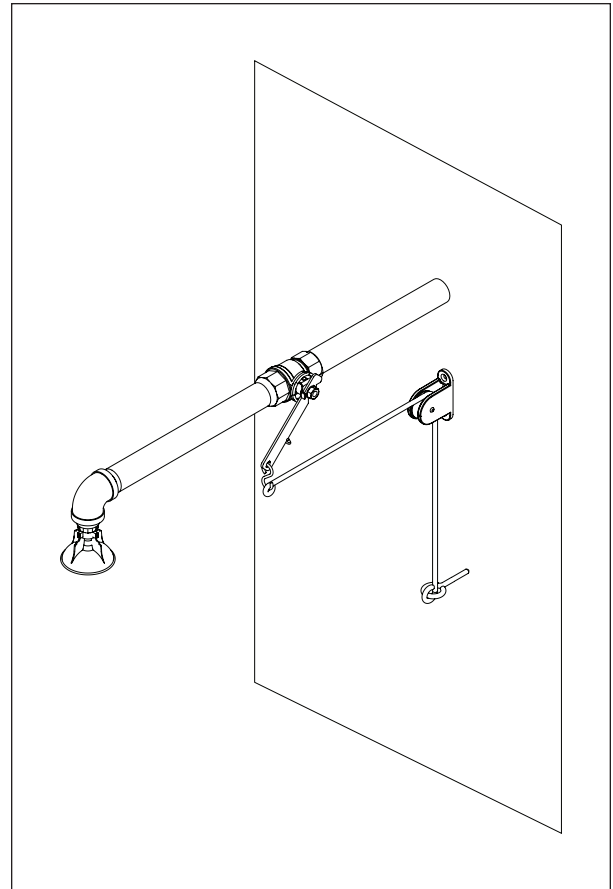


- Galvanized Steel Protected with BradTect® Safety Yellow Coating
- Universal Identification Sign and Inspection Tag Included
- Full, One-Year Warranty
- SpinTec™ showerheads are covered by one or more of the following patents: 8113446; D594,089; D669,555; Reg. Comm. Des. D001079560-0001. Other patents pending.
- Classified by Underwriters Laboratory Inc. to ANSI Z358.1

Specifications

This unit is most often used with over-the-door installations which orient blinded or panic-stricken accident victims to the location of the shower. Self-closing valve is operated with an 84" (2134mm) nylon cord. Pulleys and wall bracket also included. Impact-resistant plastic showerhead is colored bright yellow for high visibility in emergency situations. Shower provides a superior washdown with a more even spray pattern. Galvanized steel piping is additionally protected with BradTect® safety yellow coating.

- SELF-CLOSING SHOWER VALVE SPRING ADAPTER S19-001:**
This adapter does not comply with ANSI Z358.1, which states: "The valve shall remain open without the use of the operator's hands until intentionally closed."
- Drench shower is designed to accommodate standard 8' ceiling height. ANSI Z358.1 compliant drench showers are mounted between 82"-96" from the lower edge of the showerhead or shroud to the floor.*
- This plumbing fixture is not intended to dispense water for human consumption through drinking or for preparation of food or beverages.*



Recommended Option:
 Navigator S19-2100 EFX25
 Emergency Thermostatic Mixing Valve

NAVIGATOR

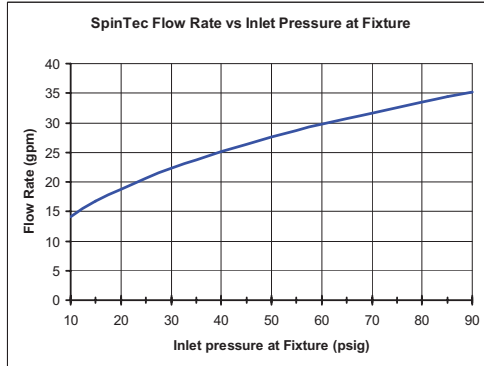
Satisfies ANSI Z358.1
 tepid water requirements.

Model	Description
<input type="checkbox"/> S19-120G	Cord-Operated Drench Shower w/ Horizontal Supply
<input type="checkbox"/> S19-2100	Navigator EFX25 - Emergency Thermostatic Mixing Valve

Standard Equipment

SpinTec™ Showerhead

3.1" (78.7mm) diameter highly visible yellow impact-resistant plastic. SpinTec drench showerhead features integral 22 GPM flow control, conserving water and helping to accurately size your tepid water system.



Shower Valve

Chrome-plated brass 1" NPT stay-open ball valve. Operated by an 84" (2134mm) nylon cord. Valve is self-closing.

Pipe and Fittings

Concealed galvanized steel with BradTect® safety yellow coating.

Water Supply

1" NPT horizontal.

