

- Exceeds American National Standard Z358.1 Specifications
- Exceeds European EN 15154-1
- Galvanized Steel Protected with BradTect® Safety Yellow Coating
- Flush-Mounted with Concealed Pipe and Fittings
- Universal Identification Sign and Inspection Tag Included
- Full, One-Year Warranty
- SpinTec™ showerheads are covered by one or more of the following patents: 8113446; D594,089; D669,555; Reg. Comm. Des. D001079560-0001. Other patents pending.
- Classified by Underwriters Laboratory Inc. to ANSI Z358.1
- Listed by Intertek to EN 15154-1

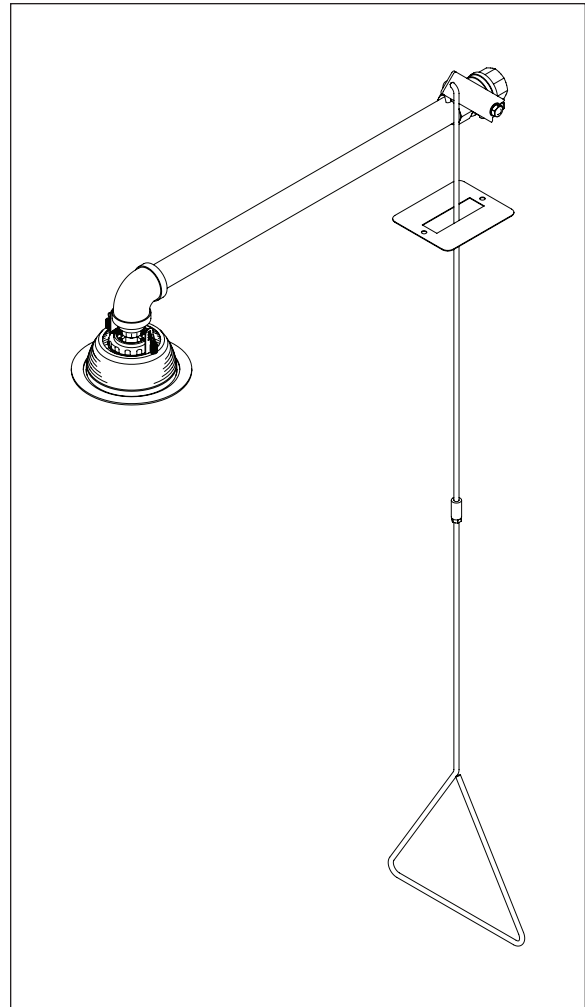


Specifications

Barrier free design makes this drench shower unit fully accessible to people with physical disabilities. Bradley meets accessible codes by assuring proper placement of showerheads and extended pull rods. Unit saves space and fits easily into any work environment. Shower valve operates quickly by an extended pull rod with a triangular handle. Shower provides a superior washdown with a more even spray pattern.

- Drench shower is designed to accommodate standard 8' ceiling height. ANSI Z358.1 compliant drench showers are mounted between 82"-96" from the lower edge of the showerhead or shroud to the floor.*
- This plumbing fixture is not intended to dispense water for human consumption through drinking or for preparation of food or beverages.*

Model	Description
<input type="checkbox"/> S19-120FMBF	Barrier Free Flush-Mounted Drench Shower w/ Horizontal Supply
<input type="checkbox"/> S19-2100	Navigator EFX25 - Emergency Thermostatic Mixing Valve



Recommended Option:
 Navigator S19-2100 EFX25
 Emergency Thermostatic Mixing Valve

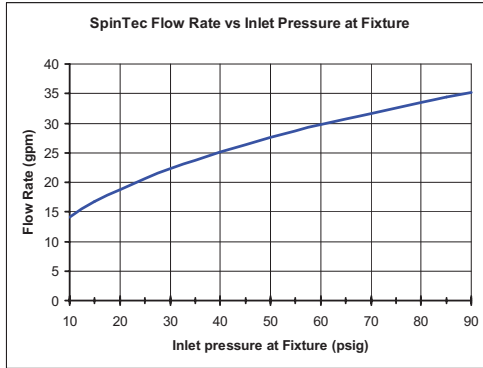
NAVIGATOR

Satisfies ANSI Z358.1
 tepid water requirements.

Standard Equipment

SpinTec™ Showerhead

3.1" (78.7mm) diameter highly visible yellow impact-resistant plastic. Integral flange mounts flush with finished ceiling. SpinTec drench showerhead features integral 22 GPM (83.3 L) flow control, conserving water and helping to accurately size your tepid water system.



Shower Valve

Chrome-plated brass 1" NPT stay-open ball valve. Operated by an extended stainless steel pull rod with triangular handle.

Pipe and Fittings

Concealed galvanized steel with BradTect® safety yellow coating.

Water Supply

1" NPT horizontal.

