

- Model 9095-18 — 18" Shelf
- Model 9095-24 — 24" Shelf

- Bright Polished Stainless Steel Posts with Satin Finish Shelf
- Projects 6¼" with 5" Deep Shelf Posts
- Surface-Mounted

## Product Materials

**POSTS:** Heavy gauge No. 8 bright polished stainless steel.

**SHELF:** Heavy gauge No. 8 satin finish stainless steel.

**MOUNTING BRACKET:** Heavy gauge stainless steel.

## Installation

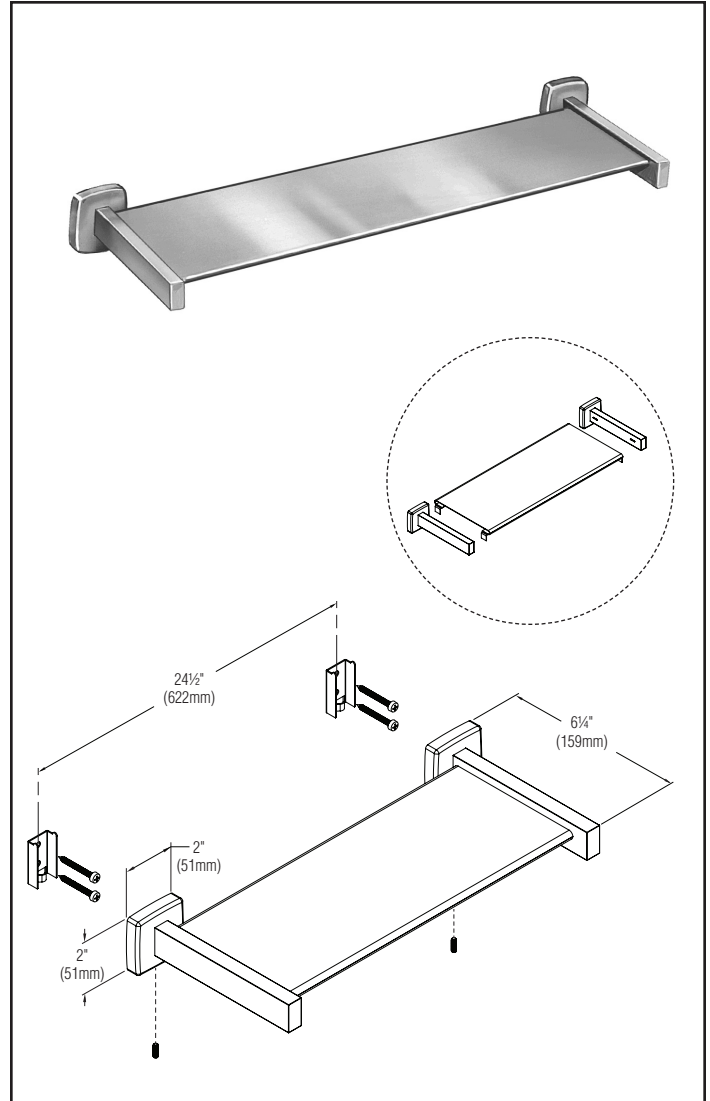
Verify all rough-in dimensions prior to installation. Slide the shelf tabs into the slots in the posts. Secure the mounting brackets to the wall with screws (included) at holes provided. With escutcheon set screw on the bottom, align the top end of the escutcheon interior to the top of wall the bracket. Pivot the escutcheon plate down into position and tighten the concealed set screw to lock unit in place.

## Guide Specification

Surface-mounted shelf shall be fabricated of heavy gauge No. 8 satin finish stainless steel with heavy gauge No. 8 bright polished stainless steel posts.

**Model 9095-18 overall dimensions: 20½"W x 2"H x 6¼"D.**

**Model 9095-24 overall dimensions: 26½"W x 2"H x 6¼"D.**



Washroom Accessories  
Document No. 8917

This information is subject to change without notice.

Always consult local and national codes for proper installation guidelines. Conformity and compliance to local and national codes is the responsibility of the installer.

8-24-2010

© 2010 Bradley Corporation  
P.O. Box 309, Menomonee Falls, WI 53052-0309  
Phone: 800.BRADLEY (800.272.3539) Fax: 262.253.4161  
bradleycorp.com