

**Model 355W — Surface-Mounted**

- 20.6-gallon Capacity

### Product Materials

**RECEPTACLE:** 22 gauge stainless steel with exposed surfaces in architectural satin finish. All welded construction with rounded front corners. Wave pattern accent.

**LINER:** (optional) heavy-duty stitched vinyl-coated nylon. Part # P11-005.

### Capacity

20.6 gal. (2.8 cu. ft.)

### Operation

Optional vinyl liner is attached to receptacle with hook-and-loop fasteners, easily removed for servicing.

### Installation

Verify all rough-in dimensions prior to installation. Secure to wall with mounting screws (included) at holes provided.

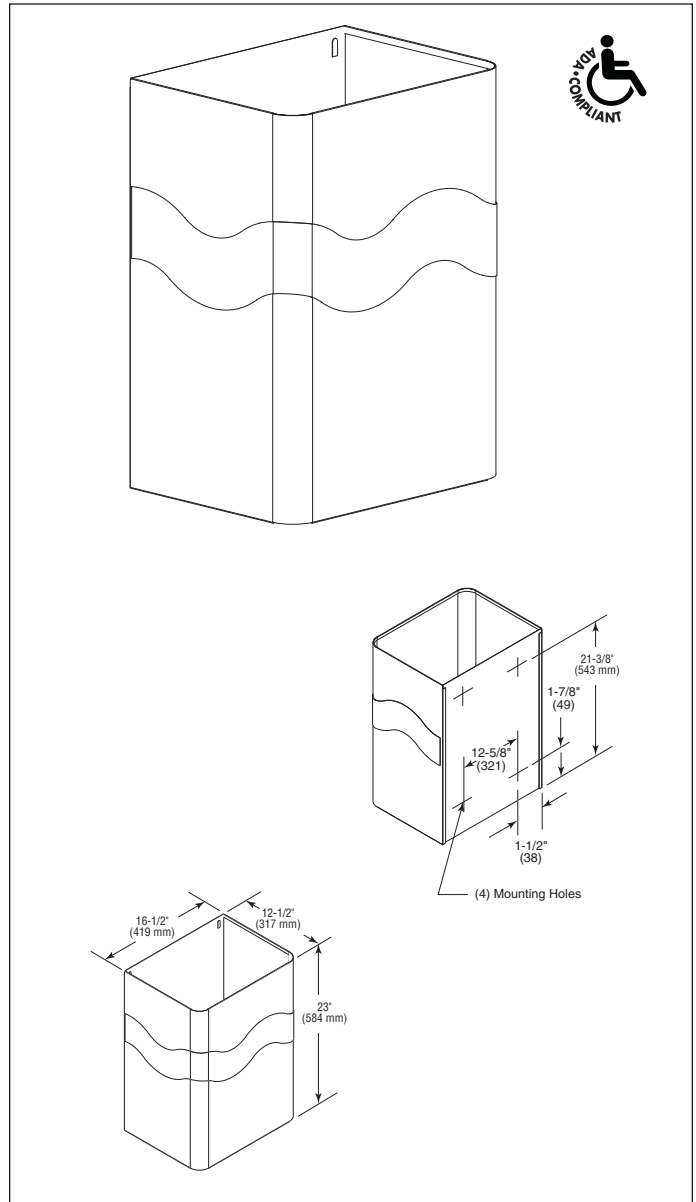
### Guide Specification

Surface-mounted waste receptacle shall be fabricated of stainless steel with seamless exposed surfaces in satin finish. Reuseable heavy-duty vinyl liner (optional). Capacity is 20.6 gal. Wave pattern accent.

**Overall dimensions: 16-1/2"W x 23"H x 12-1/2"D.**

### ADA Compliant

- Consult local and national accessibility codes for proper installation guidelines.
- Conformity and compliance to local and national codes is the responsibility of the installer.



Washroom Accessories  
Document No. 8312