

- Specify color \_\_\_\_\_  
(See color chart in back of catalog)
- Model 3258 — Recessed
- Model 3258-10 — Semi-Recessed  
(recesses 2", projects 2")
- Model 3258-11 — Surface-Mounted  
(projects 4")
- Accent Series — Color Laminate
- 2.8-Gallon Capacity

### Product Materials

**CABINET:** 22 gauge stainless steel with exposed surfaces in architectural satin finish. Welded construction with seamless corners and burr-free edges.

**DOOR:** 5/16" thick solid laminate, made of colored Melamine bonded under high pressure to a phenolic core. All exposed edges are machined smooth to a uniform dark finish. Attached to cabinet with full-length, heavy-duty stainless steel piano hinge. Equipped with a latch. Tumbler lock optional.

**WASTE RECEPTACLE INSERT:** leakproof molded plastic.

**PUSH FLAP DOOR:** same material as cabinet door. Heavy-duty stainless steel piano hinge.

### Capacity

2.8 gal. (0.37 cu. ft.)

### Operation

Waste receptacle insert removable by unlocking cabinet door.

### Installation

Verify all rough-in dimensions prior to installation. Recessed unit requires rough wall opening 12-5/8"W x 26-5/8"H x 4"D (semi-recessed unit only 2" deep). Secure to framing with mounting screws (included) at holes provided. Shim at screw points as required.

### Optional Features

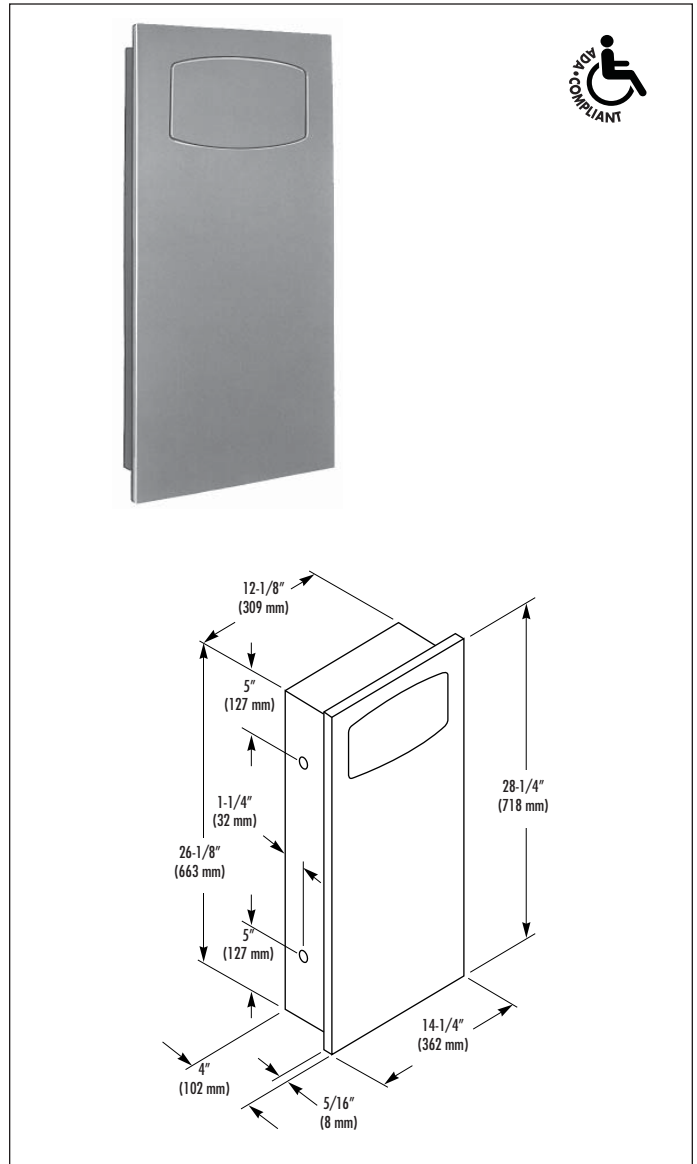
Feature	Suffix
<input type="checkbox"/> Tumbler Locks	-15

### Guide Specification

Recessed waste receptacle shall be fabricated of heavy gauge stainless steel. Cabinet door of 5/16" thick solid laminate with full-length piano hinge and secured by a latch. Removable 2.8-gal. leakproof molded plastic insert for waste receptacle.

**Overall dimensions: 14-1/4"W x 28-1/4"H x 4"D.**

Washroom Accessories  
Document No. 8290



### ADA Compliant

- Consult local and national accessibility codes for proper installation guidelines.
- Conformity and compliance to local and national codes is the responsibility of the installer.