

- Model 236 — Recessed**
(recesses 7-1/2"; projects 4")
- Model 236-10 — Semi-Recessed**
(recesses 3-5/8"; projects 7-7/8")
- Model 236-11 — Surface-Mounted**
(projects 11-1/2")

Standard Series — Satin Finish

Product Materials

CABINET: 22 gauge stainless steel with exposed surfaces in architectural satin finish. Welded construction with seamless corners and burr-free edges.

FLANGE: 22 gauge stainless steel with exposed surfaces in architectural satin finish. One piece seamless construction, 1" wide with 1/4" return.

DOOR: 18 gauge stainless steel with full length piano hinge and tumbler lock keyed like other Bradley units.

WASTE CONTAINER: 22 gauge stainless steel. All welded construction. Secured to cabinet with tumbler lock keyed like other Bradley units.

TOWEL DISPENSER: ABS plastic, 0.100 minimum thickness.

LINER (optional): heavy duty stitched vinyl coated nylon. Part #P11-001.

Capacity

Waste Container — 12 gal. (1.6 cu. ft.)

Towel Dispenser — one standard center pull towel roll up to 9" wide x 9" diameter.

Installation

Verify all rough-in dimensions before installation.

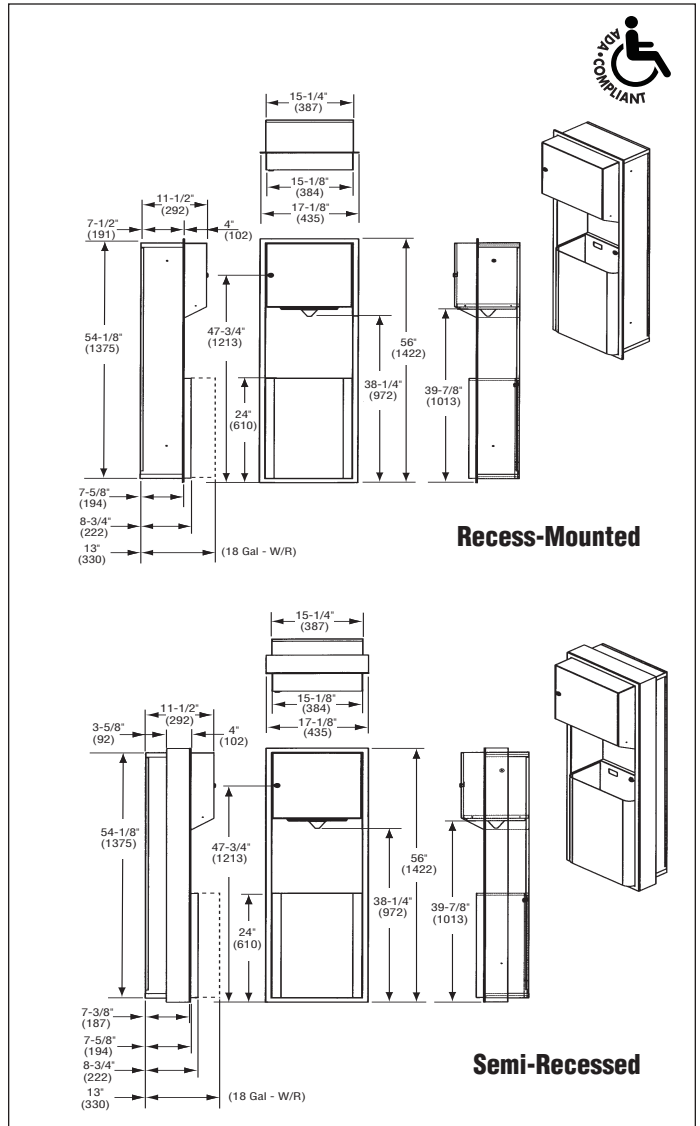
RECESSED unit requires rough wall opening 15-3/4"W x 54-1/2"H x 7-1/2"D. Secure to framing with mounting screws (included) at holes provided. Shim at screw points as required.

SEMI-RECESSED unit requires rough wall opening 15-3/4"W x 54-1/2"H x 3-3/4"D. Secure to framing with mounting screws (included) at holes provided. Shim at screw points as required.

Guide Specification

Recessed combination towel dispenser and waste receptacle shall be 22 gauge stainless steel with exposed surfaces in satin finish. Towel cabinet door equipped with piano hinge and secured by tumbler lock. Towel cabinet to accommodate one standard center pull paper towel roll. Removable 12 gal. stainless steel waste receptacle. Reusable vinyl liner is available separately. Order # P11-004.

Overall dimensions: 17-1/8"W x 56"H x 11-1/2"D.



Optional Features

| Feature | Suffix |
|--|--------|
| <input type="checkbox"/> Large Capacity Waste Receptacle — 18 gal. (projects 5-1/2") | -36 |

ADA Compliant

- Consult local and national accessibility codes for proper installation guidelines.
- Conformity and compliance to local and national codes is the responsibility of the installer.

**Washroom Accessories
Document No. 8103**