



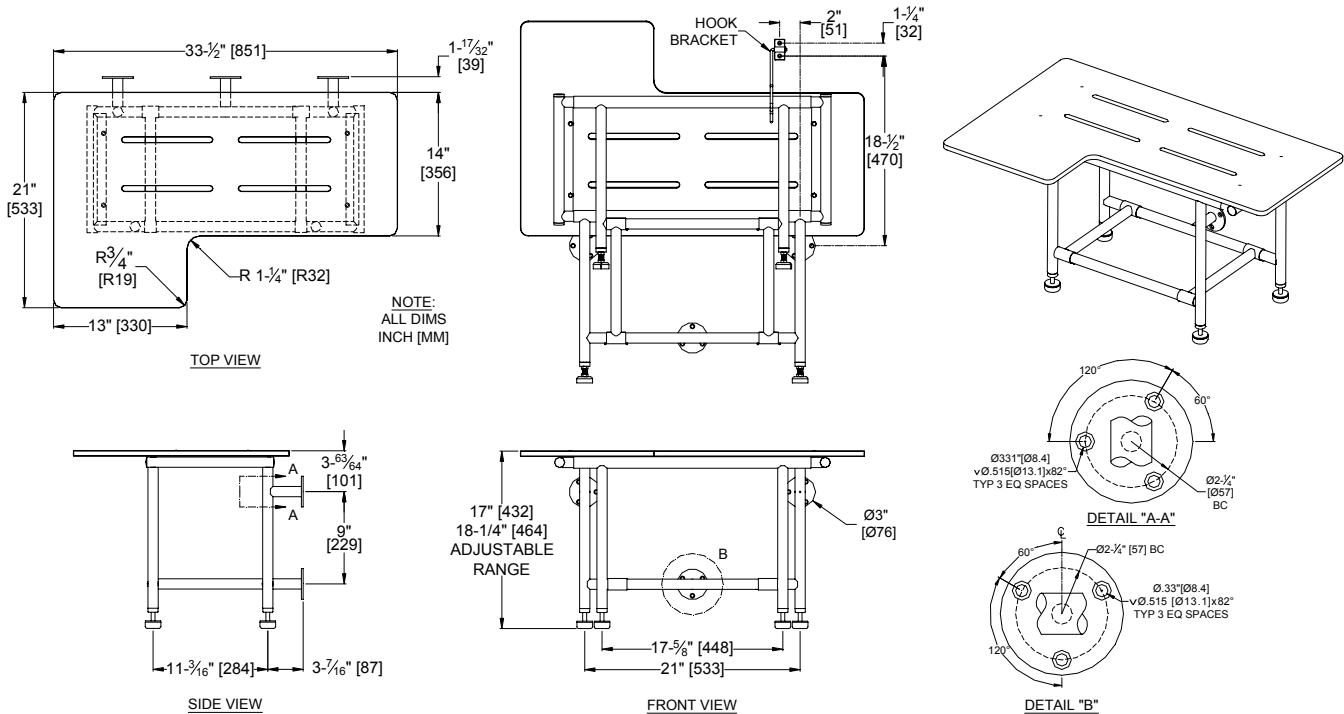
AMERICAN SPECIALTIES, INC.
 441 Saw Mill River Road, NY 10701
 (914) 476.9000 • (914) 476.0688
 www.americanspecialties.com

MODEL №: 8202

ISSUED: 09/09

REVISED: 02/11

L-SHAPED PHENOLIC FOUR-LEG FOLD-UP SHOWER SEAT (1/2)



SPECIFICATION

L-shaped Phenolic Four-Leg Fold-up Shower Seat shall have all metal parts fabricated of type 304 stainless steel 18-8 alloy. Seat frame and support legs shall be 1-1/8" diameter (Ø29) x 16 gauge and 1" diameter (Ø 25) x 14 gauge and pivoting sleeves shall be 1-1/8" diameter (Ø29) x 20 gauge with 3/16" (4.8) thick mounting flanges and 12 gauge seat mounting brackets. All exposed surfaces shall have satin finish. Structural assembly shall be of welded construction and all exposed edges and corners shall be radiused and/or deburred. Seat shall be solid phenolic with white top and bottom surfaces and shall have black edges. Legs shall fold up when in retracted position to provide low profile against wall. Stainless steel hook bracket shall be provided to retain seat in storage position. Rubber cushioned stainless steel leveling feet shall lock-adjust throughout installation height range and compensate for uneven floors. Unit shall satisfy ADA Accessibility Guidelines when mounted properly.

L-shaped Phenolic Four-Leg Fold-up Shower Seat shall be Model № 8202 - __ (R for right hand or L for left hand) of American Specialties, Inc., 441 Saw Mill River Road, Yonkers, New York 10701- 4913

INSTALLATION

This unit is surface mounted. Installer/construction contractor must provide concealed anchor plate or blocking as specified in construction documents or as required by local building codes prior to wall finishing. Fasten unit flanges and retaining hook bracket to concealed anchors or blocking plates with appropriate hardware (by others). See "STRENGTH" section below. Note that concealed mounting plates or anchors and hardware are not supplied with this product and must be specified separately. Ensure that mounting configuration complies with local building codes. Adjust leveling feet to provide even load transfer to floor and lock with nuts (provided) to maintain position. Unit is reversible in the field for right or left hand installation.



AMERICAN SPECIALTIES, INC.
441 Saw Mill River Road, NY 10701
(914) 476.9000 • (914) 476.0688
www.americanspecialties.com

MODEL №: 8202

ISSUED: 09/09

REVISED: 02/11

L-SHAPED PHENOLIC FOUR-LEG FOLD-UP SHOWER SEAT (2/2)

STRENGTH

ASI Shower Seats are designed to meet and exceed **ADAAG** requirements as published in ICC/ANSI A117.1-2003 section 610 and CFR 28 Part 36, Federal Register Vol. 56 N^o 144, 26 July 1991, section 4.21.3 and section 4.26.3, that fabricated product shall be of adequate strength to support a load of 250 pounds (113.4 kg) and unit shall conform to size and edge clearances as diagrammed. Mounting to the wall is a critical part of the system to meet this requirement. To withstand the shear, tension or pullout, and torsion loads generated by the maximum loading, the fastener system must be adequately sized. Unit is load rated to support a weight of 1000 lbs (454 kg) when properly installed and has been tested to successfully hold a weight in excess of 1,250 lbs (567 kg).

MATERIALS

Tubes: 14 gauge (.075" <1.9> thick) 1" diameter (Ø25) and 16 gauge (.06" <1.5> thick) & 20 gauge (.04" <1.0> thick) 1-1/8" diameter (Ø29), all type 304 stainless steel. Unitized all welded construction. Exposed surfaces have satin finish. Edges and corners are radiused and burr free. Frame is field reversible for either left or right hand.

Flanges: 3/16" (4.8), type 304 stainless steel. Exposed surfaces have satin finish. Edges are radiused and burr free.

Brackets: 12 gauge (.106" <2.7> thick), type 304 stainless steel. Exposed surfaces have satin finish. Edges are radiused and burr free.

Seat: Solid Phenolic (**L**-shape) 1/2" x 33-1/2" x 21" (13 x 851 x 533) nonporous seat has white top and bottom surfaces with semi-gloss finish and black edges with radiused and burr free corners. Seat shall be field reversible for left or right hand. Seat shall have slots for water drainage and user slip resistance. Mounting hardware is smooth stainless steel dome head carriage bolts with acorn nuts on bottom.

Retainer: 1/4" diameter (Ø6.4) rod, 3/16" thick (4.8) mounting plate, 1/2" diameter (Ø13) pivot all type 304 stainless steel. Exposed surfaces have satin finish. Edges are radiused and burr free.

OPERATION

Fold-up Shower Seat requires only one hand operation to manually lower to horizontal position for use or raise for departure and arrival. Rear load feet remain on floor with rear frame mounted to wall and never need adjustment after correct installation. Front legs fold up automatically when seat is raised. Retainer hook prevents seat from dropping. Rubber cushions on load leveling feet prevent shocks to floor surface during deployment and use. Unit may be hosed for cleaning at same time as shower enclosure.