



**AMERICAN SPECIALTIES, INC.**

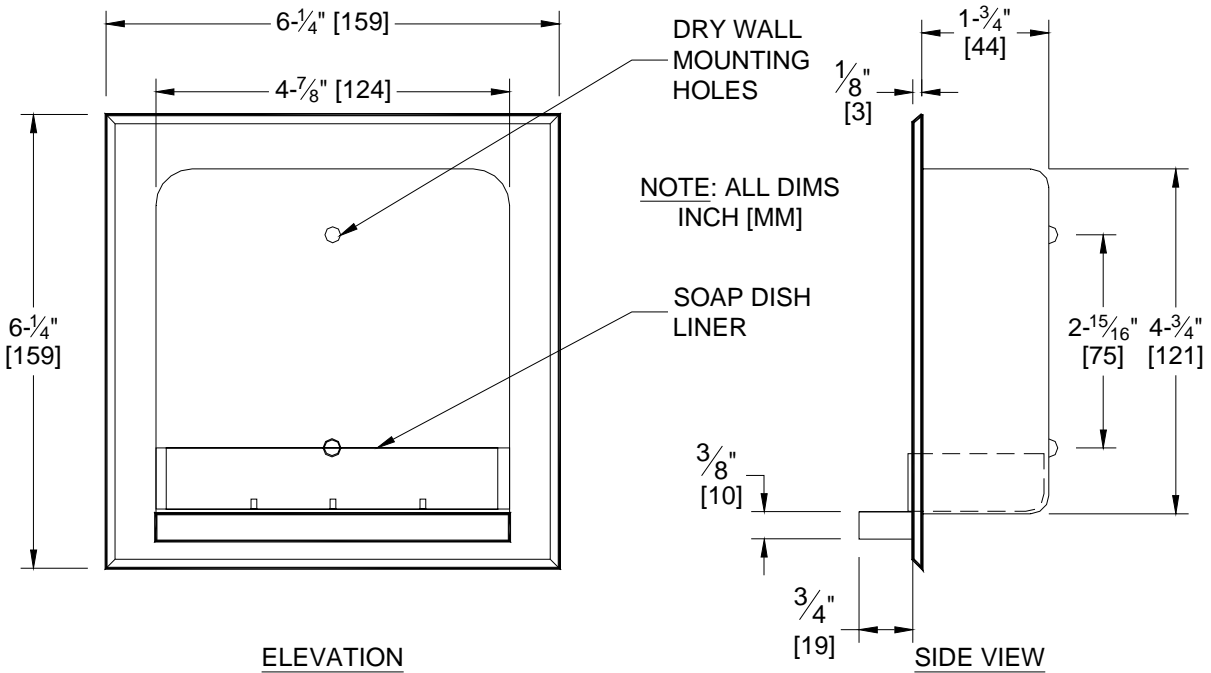
441 Saw Mill River Road, Yonkers, NY 10701 (914) 476-9000  
www.americanspecialties.com

MODEL No: 0404-Z

ISSUED: 01-87

REVISED: 12-06

**RECESSED SOAP DISH**



**SPECIFICATION**

Recessed Soap Dish shall be die-cast of Zamac in seamless one piece construction. Back shall have two (2) perforated lugs for wet wall anchoring and two (2) dimpled holes for dry wall installation. A raised lip shall be provided to prevent soap from slipping out. All exposed surfaces shall be triple plated with copper, nickel and chrome to a mirror finish.

**Recessed Soap Dish shall be Model N° 0404-Z of American Specialties, Inc. 441 Saw Mill River Road Yonkers, New York 10701-4913**

**INSTALLATION**

**For Wet wall Recessed Mounting:** Apply grout to back of unit and on perforated lugs and push unit into opening to seat flange flush with wall face. Allow unit to set and grout to cure before use.

**For Standard Dry Wall Recessed Mounting**

Use two (2) N° 10 stainless steel Philips flat or oval head self tapping or wood screws (by others) of suitable length to penetrate blocking in back of RWO by approximately 1/2" (13). Apply a continuous bead of silicone sealant (by others) behind flange and under screw heads. Tighten screws to hold flange tight against finished wall face. Wipe off excess sealant immediately.

**Optional Method for Dry Wall Recessed Mounting**

Order separate item Model N° 39 dry wall clamp. Loosely attach clamp to the back of the unit with two (2) stainless steel Philips flat or oval head N° 10B (or 10AB or 10BP) self tapping screws (provided by others to suit wall conditions) through dimpled holes at back of shell. Apply a continuous bead of silicone sealant (by others) behind flange and under screw heads. Insert into RWO and adjust clamp so that it grips inside wall surface through opening. Secure accessory to clamp and wall by tightening screws. Wipe off excess sealant immediately.

**For compliance with ADA Accessibility Guidelines** unit should be installed with soap shelf 48" (1219) max AFF. Locate on adjacent wall to any shower seat or tub seat (either supplied separately or by others) and within 27" (1219) from wall behind seat to centerline of soap dish.

**Rough Wall Opening (RWO) required is..... 5-1/4" W x 5-1/4" H x 2" D (133 x 133 x 51)**

Accessory Specialties

AMERICAN DISPENSER

Desert Ray Products

**WATROUS** .INC.