

AMERICAN DR SERIES

HAND & HAIR DRYERS



- Maintenance Free
- Vandal Resistant
- Many Options at Great Value
- Quiet, Dependable Operation
- 360° Revolving Nozzle (Dries Hands, Hair or Face)
- 10-Year Limited Warranty

Overview:

The DR series push button and automatic hand and hair dryers offer exceptional construction, durability and performance. Our best selling series comes standard with a 10-year limited warranty.

Options include a brushed stainless steel cover, fixed nozzle, recessed mounting, and hair drying.

Specifications:	
Air Flow	160 CFM (Cubic Feet per Min.)
Air Velocity	5500 LFM (Linear Feet per Min.)
Air Temp	130-145°F at 72°F Ambient
Sound Level	71 dB (Quietest in its Class)
Dimensions Surface Including Nozzle (Fig 1)	11" W X 9-1/4" H X 8-7/8" D (28 cm W X 24 cm H X 22.5 cm D)
Dimensions Recess Including Nozzle (Fig 2)	14-1/8" W X 14-1/8" H X 5-5/8" D (36 cm W X 36 cm H X 14.3 cm D)
Shipping Weight	Surface 18 Lbs (13 Kg) / Recess Kit 8 Lbs (3.6 Kg)
Mounting Heights Hand Dryers (From floor to bottom of hand dryer)	Men 42" (107 cm) Women 40" (102 cm) Children 30"- 40" (76 -102 cm) Handicapped 34" (86 cm)
Warranty: 10-year limited warranty includes same day factory repair or part replacement. Sensor 5 years. See owner's manual for details.	

Construction Features:

Cover – One piece heavy duty 16 gauge steel or optional 18 gauge type 304 stainless steel (SS).

Finish – Electrostatically applied white enamel. Resistant to chipping and cleaning agents. Brushed stainless steel finish optional.

Tamper Resistant – Tamper resistant screw secures cover to base. Air intake vents are shielded for additional safety.

Motor – Permanently lubricated, maintenance free, brushless induction motor with automatic resetting thermal protector. 1/10 HP, 3200 RPM.

Nozzle & Push Button – Chrome plated zinc die castings. 360° revolving nozzle is standard. A fixed nozzle (F) is optional on all models.

Timer – Push button models use a heavy duty cam-operated timer with oversized electrical contacts for extended life. Turns on with a light touch. Turns off automatically.

Automatic Sensor – 100% solid state design eliminates relay contact failures. Microprocessor controlled infrared sensor turns dryer on when hands are under the air outlet. Dryer turns off when hands are removed. Override turns dryer off in 80 seconds if hands are not removed.

Heating Element – Constructed of NiChrome resistance wire with automatic resetting thermostat. Side mounted heating element operates in the black range for maximum life.

Model Reference Chart

PUSH BUTTON		AUTOMATIC		ELECTRICAL RATINGS			
Surface Model	Drying Cycle	Surface Model	Drying Cycle	Volts	Amps	Watts	Hertz
DR10N	40 sec	DR10TN	Auto	110-120	15	1725	60
DR20N	30 sec	DR20TN	Auto	110-120	20	2300	60
DR35N	30 sec	DR35TN	Auto	208-240	10	2300	50/60
Available Options:							
Hair Drying with 80 second cycle add (H) after model no. Push button only.							
Stainless Steel Cover add (SS) after model number.							
Fixed Nozzle add (F) after model number.							
Recessed Mounting add (R) after model number or order kit separately.							



Mounting Diagrams

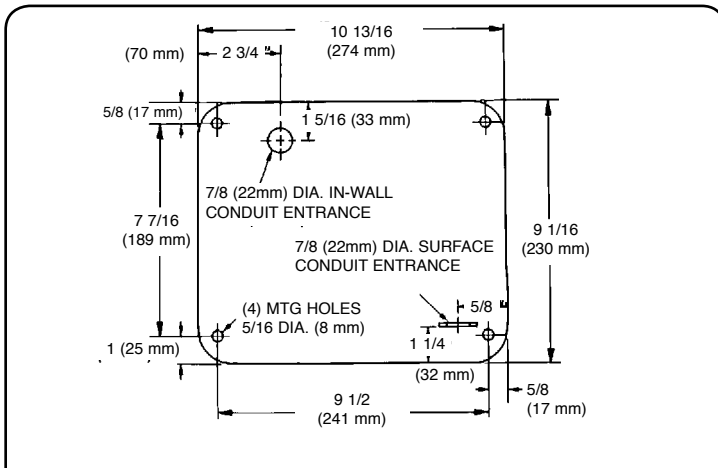
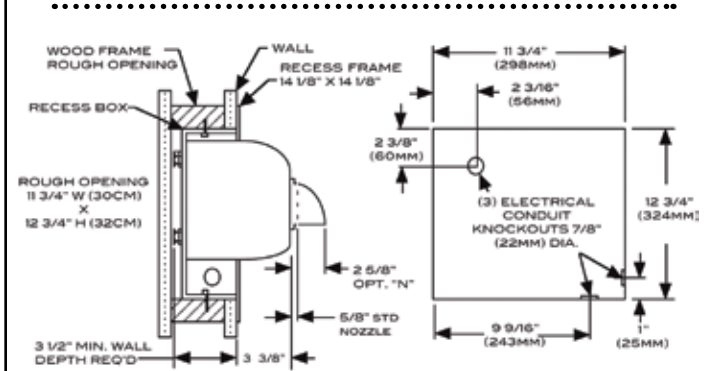


Figure 1 - DR Series Surface Mount



PENDING REVISION - CONSULT FACTORY FOR DIMENSIONS

Figure 2 - DR-R Series Recessed Mount

Represented By

Save 95% Versus Paper Towels

GX Series Hand dryers achieve up to a 95% cost savings over paper towels. These savings are realized by eliminating the maintenance and operating expenses associated with paper or linen towels.

"Our school saved over \$21,000 last year with American Dryer!"

Cost Analysis for a Public School:	
Paper Towel Usage	800 cases
Total Paper Costs	\$ 24,000
Hand Dryer Operating Costs	\$ 2,453
Annual Savings	\$ 21,547
Payback Time	14 months

Cost Analysis for a Restaurant:	
Paper Towel Usage	90 cases
Total Paper Costs	\$ 2,025
Hand Dryer Operating Costs	\$ 96
Annual Savings	\$ 1,929
Payback Time	12 months

GENERAL INFORMATION

DRYER PLACEMENT :
 Dryers should be placed at least 2 feet apart and at least 12" from washbasin. Do not install dryer over washbasin. Automatic dryers should be at least 18" above any projection which may interfere with the operation of the automatic sensor.

DRYER INSTALLATION:
 Hand dryers require a dedicated circuit (max. 20 amp) and must be properly grounded. One side of dryer should be mounted to stud. All surface mount dryers are provided with conduit entrances for both between wall and surface wiring.

QUANTITY ESTIMATE, HAND DRYER:
 Average traffic washroom.....1 dryer per 2 washbasins
 Heavy traffic washroom.....1 dryer per washbasin
 54" Bradley sink.....4 dryers per sink



American Dryer, Inc.
 12932 Farmington Road | Livonia | MI | 48150 | U.S.A.
 Toll Free (800) 485-7003 U.S.
 Ph: (734) 421-2400 | Fax (734) 421-5580
 Web: www.americandryer.com
 Email: sales@americandryer.com
 © American Dryer, Inc. All Rights Reserved

Printed on Recycled Paper