



AMERICAN A SERIES

HAND & HAIR DRYERS

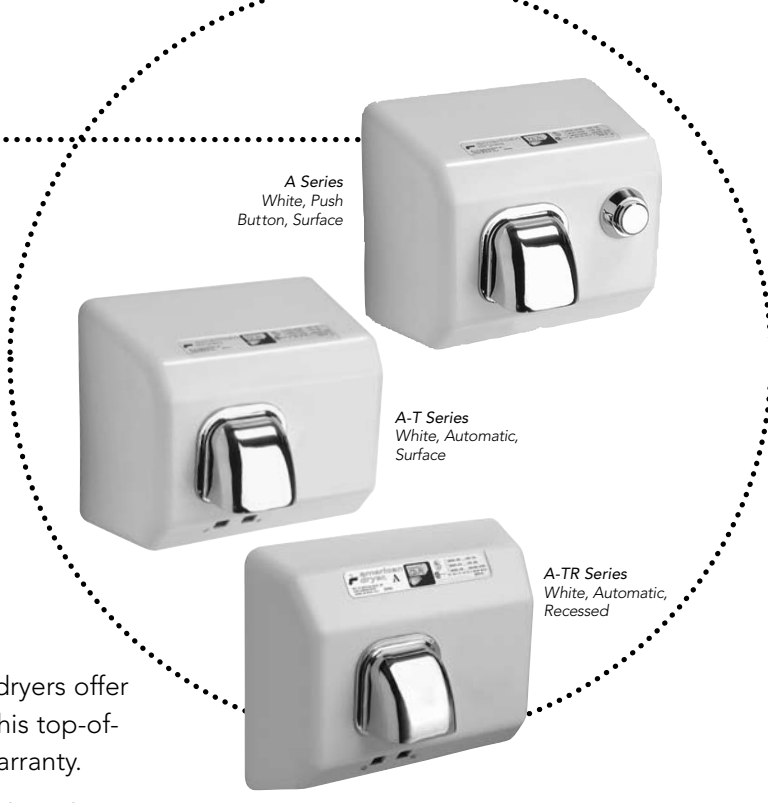
Maintenance Free
Vandal Resistant

Durable Finish - Looks New for Years

Quiet, Dependable Operation

360° Revolving Nozzle
(Dries Hands, Hair or Face)

10-Year Limited Warranty



A Series
White, Push
Button, Surface

A-T Series
White, Automatic,
Surface

A-TR Series
White, Automatic,
Recessed

Overview:

The A series push button and automatic hand and hair dryers offer exceptional construction, durability and performance. This top-of-the-line model comes standard with a 10-year limited warranty.

Options include a fixed nozzle, recessed mounting and hair drying.

Construction Features:

Cover – One piece heavy duty 1/4" thick cast iron is the ultimate in durability.

Finish – Durable white porcelain enamel finish is easy to clean and looks new for years. It absorbs impact without scratching or chipping. Resistant to strong acids and cleaning agents.

Tamper Resistant – Two tamper-resistant screws secure cover to base. Air intake vents are shielded for additional safety.

Motor – Permanently lubricated, maintenance-free, brushless induction motor with automatic resetting thermal protector. 1/10 HP, 3200 RPM.

Nozzle & Push Button – Chrome plated zinc die castings. 360° revolving nozzle is standard. A fixed nozzle (F) is optional on all models.

Timer – Push button models use a heavy duty cam-operated timer with oversized electrical contacts for extended life. Turns on with a light touch. Turns off automatically.

Automatic Sensor – 100% solid state design eliminates relay contact failures. Microprocessor controlled infrared sensor turns dryer on when hands are under the air outlet. Dryer turns off when hands are removed. Override turns dryer off in 80 seconds if hands are not removed.

Heating Element – Constructed of NiChrome resistance wire with automatic resetting thermostat. Side mounted heating element operates in the black range for maximum life.

Specifications:	
Air Flow	160 CFM (Cubic Feet per Min.)
Air Velocity	5500 LFM (Linear Feet per Min.)
Air Temp	130-145°F at 72°F Ambient
Sound Level	71 dB (Quietest in its Class)
Dimensions Surface Including Nozzle (Fig 1)	11-3/8" W X 9-7/8" H X 8-7/8" D (29 cm W X 25 cm H X 22.5 cm D)
Dimensions Recessed Including Nozzle (Fig 2)	12-1/2" W X 10-1/16" H X 6" D (32 cm W X 25.5 cm H X 15 cm D)
Shipping Weight	Surface 29 Lbs (13 Kg) / Recess 27 Lbs (12 Kg)
Mounting Heights Hand Dryers (From floor to bottom of hand dryer)	Men 42" (107 cm) Women 40" (102 cm) Children 30"-40" (76-102 cm) Handicapped 34" (86 cm)
Mounting Heights Hair Dryers (From floor to bottom of hair dryer)	Men 72" (183 cm) Women 68" (173 cm) Children 46"-68" (117-173 cm) Handicapped 52" (132 cm)
Warranty: 10-year limited warranty includes same day factory repair or part replacement. Sensor 5 years. See owner's manual for details.	

Model Reference Chart

PUSH BUTTON		AUTOMATIC			ELECTRICAL RATINGS			
Surface Model	Drying Cycle	Surface Model	Recessed Model	Drying Cycle	Volts	Amps	Watts	Hertz
A60	40 sec	A60T	A60TR	Auto	110-120	15	1725	60
A70	30 sec	A70T	A70TR	Auto	110-120	20	2300	60
A80	30 sec	A80T	A80TR	Auto	208-240	10	2300	50/60

Available Options:
Hair Drying with 80 second cycle add (H) after model no. Push button only.
Fixed Nozzle add (F) after model number.



Mounting Diagrams

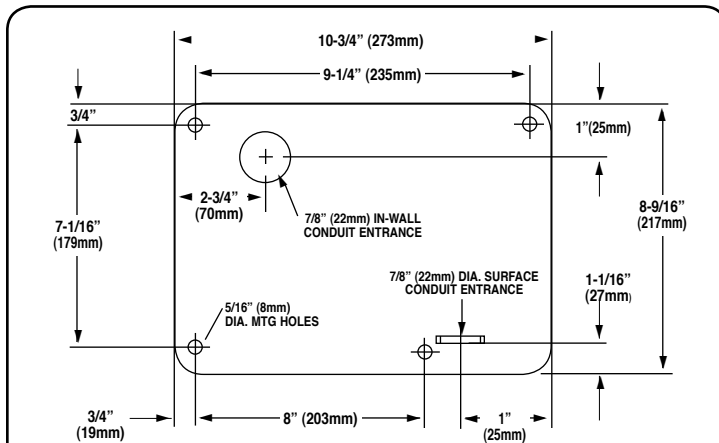


Figure 1 - A Series Surface Mount

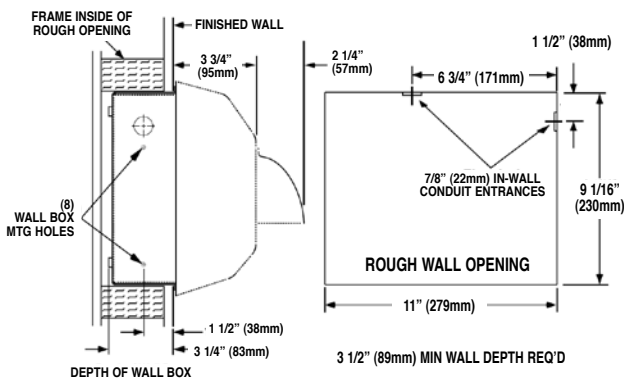


Figure 2 - A-TR Series Recessed Mount

Represented By



American Dryer, Inc.

12932 Farmington Road | Livonia | MI | 48150 | U.S.A.

Toll Free (800) 485-7003 U.S.

Ph: (734) 421-2400 | Fax (734) 421-5580

Web: www.americandryer.com

Email: sales@americandryer.com

© American Dryer, Inc. All Rights Reserved

Save 95% Versus Paper Towels

GX Series Hand dryers achieve up to a 95% cost savings over paper towels. These savings are realized by eliminating the maintenance and operating expenses associated with paper or linen towels.

"Our school saved over \$21,000 last year with American Dryer!"

Cost Analysis for a Public School:	
Paper Towel Usage	800 cases
Total Paper Costs	\$ 24,000
Hand Dryer Operating Costs	\$ 2,453
Annual Savings	\$ 21,547
Payback Time	14 months

Cost Analysis for a Restaurant:	
Paper Towel Usage	90 cases
Total Paper Costs	\$ 2,025
Hand Dryer Operating Costs	\$ 96
Annual Savings	\$ 1,929
Payback Time	12 months

GENERAL INFORMATION

DRYER PLACEMENT :

Dryers should be placed at least 2 feet apart and at least 12" from washbasin. Do not install dryer over washbasin. Automatic dryers should be at least 18" above any projection which may interfere with the operation of the automatic sensor.

DRYER INSTALLATION:

Hand dryers require a dedicated circuit (max. 20 amp) and must be properly grounded. One side of dryer should be mounted to stud. All surface mount dryers are provided with conduit entrances for both between wall and surface wiring.

QUANTITY ESTIMATE, HAND DRYER:

Average traffic washroom.....1 dryer per 2 washbasins
 Heavy traffic washroom.....1 dryer per washbasin
 54" Bradley sink.....4 dryers per sink

Printed on Recycled Paper